



Trash Receptacle Liner

Description:

Black static dissipative polyethylene trash receptacle liner. Conventional polyethylene trash can liners can easily generate tens of thousands of volts of static electricity and should not be used in static sensitive environments. These black static dissipative trash receptacle liners will reduce static generation to less than 70 volts.

ESD Handbook TR 20.20 paragraph 2.4 "It should be understood that any object, item, material or person could be a source of static electricity in the work environment. Removal of unnecessary nonconductors, replacing nonconductive materials with dissipative or conductive materials and grounding all conductors are the principle methods of controlling static electricity in the workplace, regardless of the activity."

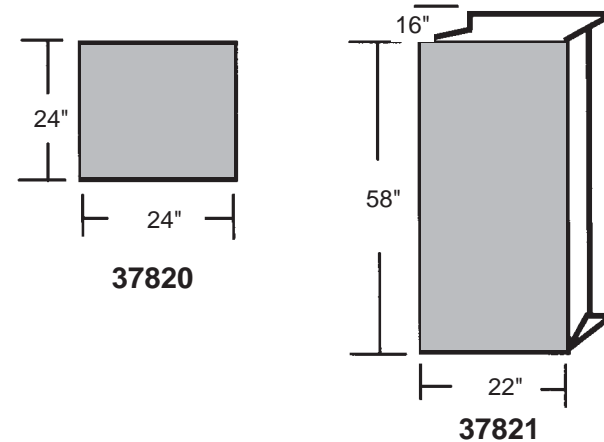
Specifications:

Material: Static dissipative polyethylene
 Color: Black
 Surface Resistance: 10E5 - 10E9 ohms
 Static Generation: 70 Volts at 50% RH
 Thickness: 0.0015 in. (1.5 mil)
 Package: 50 liners per pack

Item No.	Description
37820	26 in. x 24 in. (10 gallon)
37821	22 in. x 16 in. x 58 in. (55 gallon)

Trash Receptacles available

Item No.	Description
37810	Trash Receptacle 13-1/2 x 12 x 13-1/4, with wire frame and handles
37811	Trash Receptacle 13-1/2 x 12 x 13-1/4, receptacle only
37812	Trash Receptacle 22-7/8 x 12-7/8 x 32, with wire frame and handles
37813	Trash Receptacle 22-7/8 x 12-7/8 x 32, receptacle only



ESD Trash Receptacle Liners

PROTEKTIVE PAK

PROTEKTIVE PAK
 13520 MONTE VISTA AVENUE, CHINO, CA 91710
 PHONE (909) 627-2578, FAX (909) 363-7331
 www.protektivepak.com

DRAWING NUMBER
37820

DATE
12/05